

WM Series Water Meter

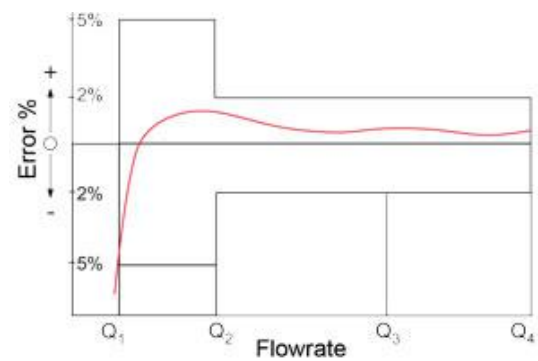
The plastic water meters are mainly used for agricultural irrigation, to measure the total amount of water used for irrigation water flowing through the main pipeline. The series has advanced structure design, large measuring range, high precision, large circulation capacity, small pressure loss, stable performance curve, compact structure. The measuring movement can be adjusted, disassembled, replaced.



Technical Specification:

Sizes	DN50 , DN80 , DN100	
Port Connection	Flange Connector	
Material	Glass-fiber Reinforced PA66	
Data Output Options	Pulse	
	RS485 Signal	
Max. Pressure Rating	bar	10
	psi	145
Max. Temperature	°C	50
	°F	122

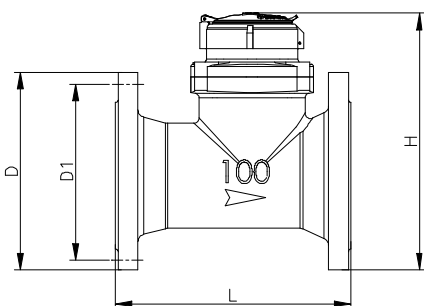
Accuracy Curve:



Performance Data:

		Accuracy	DN50	DN80	DN100
			2"	3"	4"
Q1 (Minimum flow)	m ³ /h	±5%	2.50	3.94	6.25
Q2 (Transitional flow)		±2%	4.0	6.3	10
Q3 (Normal flow)		±2%	40	63	100
Q4 (Peak flow, short time)		±2%	50	78.75	125
Min Reading	m ³		0.001	0.001	0.001
Max Reading			9999999	9999999	9999999

Dimensions (in millimetre):



DN mm	Length L mm	Height H mm	Flange Connection		
			Flange Outer Diameter D	Center Diameter of Bolt Hole D1	Bolt Quantity
50	200	257	200	125	M16×4
80	225	277	200	160	M16×16
100	250	287	220	180	M16×16

Data Output Options:

Features and Benefits:

- Inductive sensor technology;
- Ultra low-power microelectronics technology, single-cell power supply;
- low power communication technology;
- Self-diagnosis and external damage detection;
- Modular design, plug and play.

Functions:

- Data collection function
- Pulse output function;
- Data protection function;
- Data communication function;
- Working life warning function;
- Tamper warning function.

Interface definition:

Six cables of different colors are led at the terminal, and they are red, black, yellow, green, white and brown in order.

- **Red:** bus power, $3.6V \leq U \leq 12V$
- **Black:** GND/COMMON
- **Yellow:** 485+
- **Green:** 485-
- **White:** The width of a pulse generated by one pulse equivalent is 64 ms in forward flow
- **Brown:** the width of a pulse generated by one pulse equivalent is 64 ms in reverse flow

Pulse Output Option:

Cable Characteristics		
	Wire	Function
Output Cable	Black	GND/COMMON
	White	Pulse Out 1
	Brown	Pulse Out 2
Pulse constant	1 L / imp	
Sampling frequency	3 Hz	
Pulse duration	≥64 ms	

RS485 Output Option:

Combines customer-defined protocol with the standard **Mod-Bus** protocol.

- Communication address: broadcast 0; Slave: 1 (configurable)
- Baud rate: 2400 (4800, and 9600 are options)
- Data bits: 8 bits

Cable Characteristics		
	Wire	Function
Output Cable	Red	Bus Power
	Black	GND/COMMON
	Yellow	485+
	Green	485-