

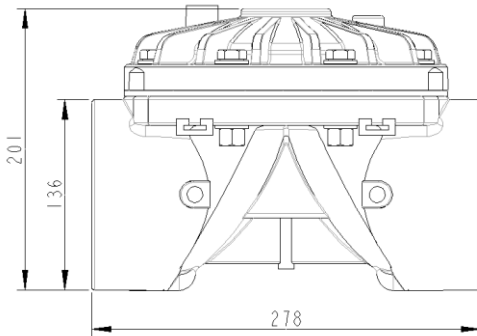
## Specification

<b>Port Size</b>	4-inch, DN100
<b>Port Connection</b>	Solvent Welding
<b>Body Material</b>	UPVC

## Operation Data

<b>Max. Flow Range</b>	m <sup>3</sup> /h	160
	gal/min(US)	700
<b>Max. Working Pressure</b>	bar	10
	psi	145
<b>Min. Pressure</b>	bar	0.69
	psi	10
<b>Max. Temperature</b>	°C	40
	°F	104

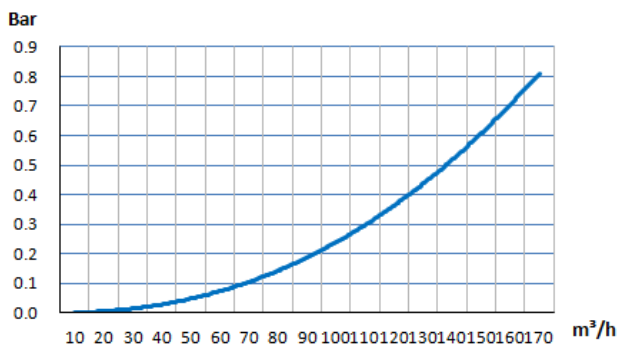
## Dimensions (in millimetre)



## Product Uses

- Irrigation systems (Field Valves)
- Underground irrigation systems
- Sewage systems
- Water supply systems
- Municipal water systems
- Agriculture
- Landscaping
- Green Houses
- Filtration
- Sprinkler systems

## Head Loss Chart: 3-way Electric Valve

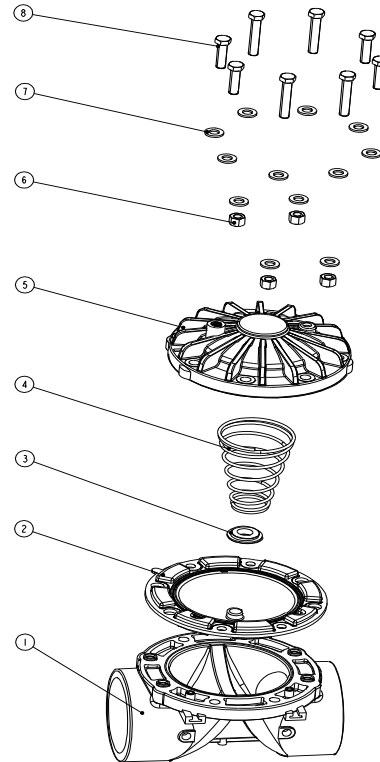


<< Relationship between Flow and Head Loss >>

**Horizontal Axis Q :** Flow rate, 1m<sup>3</sup>/h=4.4gpm(US)=3.67gpm(UK);  
**Vertical Axis ΔH :** Head loss, 1Bar=14.5Psi=0.1mwc.



## Components



No.	Parts	Material
1	Valve Body	UPVC
2	Diaphragm	NR
3	Spring Seat	POM
4	Spring	304 SST
5	Valve Bonnet	PA66
6	Nuts x 8	#45 Steel
7	Washers x 8	#45 Steel
8	M12 Bolts x 8	#45 Steel