

Specification

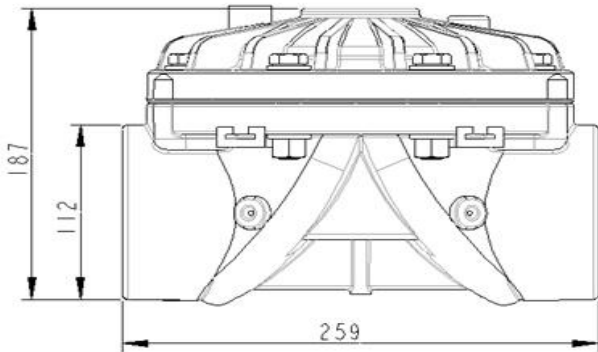
Port Size	3-inch, 80mm
Port Connection	Solvent Welding
Body Material	UPVC

Operation Data

Max. Flow Range	m ³ /h	100
	gal/min(US)	440
Max. Working Pressure	bar	10
	psi	145
Min. Pressure	bar	0.69
	psi	10
Max. Temperature	°C	40
	°F	104



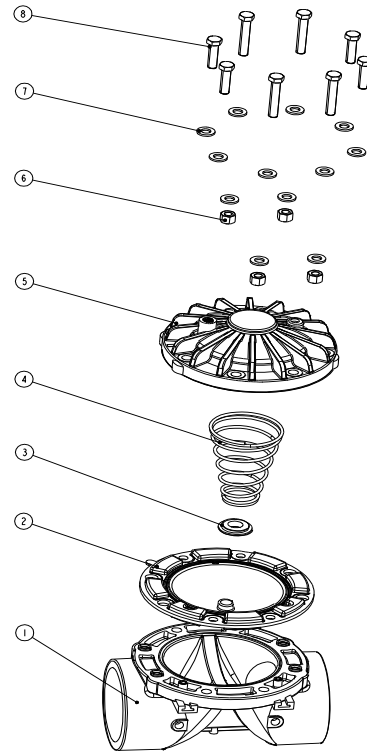
Dimensions (in millimetre)



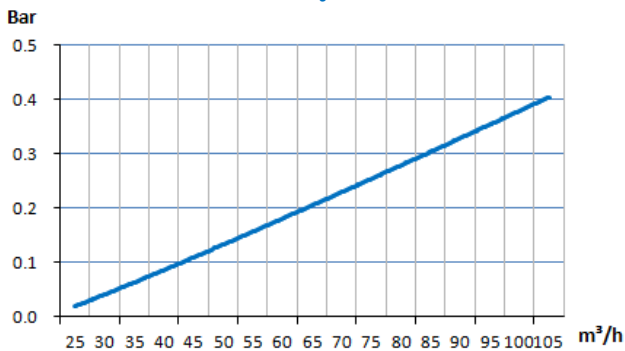
Product Uses

- Irrigation systems (Field Valves)
- Underground irrigation systems
- Sewage systems
- Water supply systems
- Municipal water systems
- Agriculture
- Landscaping
- Green Houses
- Filtration
- Sprinkler systems

Components



Head Loss Chart: 3-way Electric Valve



<< Relationship between Flow and Head Loss >>
 Horizontal Axis Q : Flow rate, 1m³/h=4.4gpm(US)=3.67gpm(UK);
 Vertical Axis ΔH : Head loss, 1Bar=14.5Psi=0.1mwc.

No.	Parts	Material
1	Valve Body	UPVC
2	Diaphragm	NR
3	Spring Seat	POM
4	Spring	304 SST
5	Valve Bonnet	PA66
6	Nuts x 8	#45 Steel
7	Washers x 8	#45 Steel
8	M12 Bolts x 8	#45 Steel