

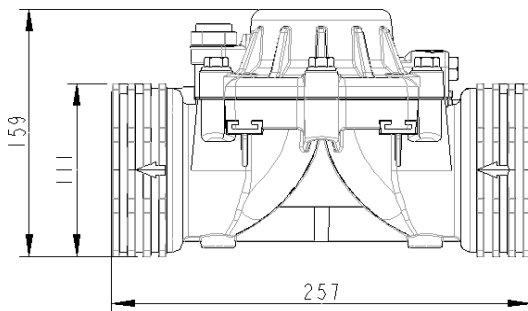
## Specification

|                        |                              |
|------------------------|------------------------------|
| <b>Port Size</b>       | 3-inch, DN80                 |
| <b>Port Connection</b> | Female Thread Connected, BSP |
| <b>Body Material</b>   | Glass-fiber Reinforced PA66  |

## Operation Data

|                              |                   |      |
|------------------------------|-------------------|------|
| <b>Max. Flow Range</b>       | m <sup>3</sup> /h | 90   |
|                              | gal/min(US)       | 396  |
| <b>Max. Working Pressure</b> | bar               | 10   |
|                              | psi               | 145  |
| <b>Min. Pressure</b>         | bar               | 0.69 |
|                              | psi               | 10   |
| <b>Max. Temperature</b>      | °C                | 60   |
|                              | °F                | 140  |

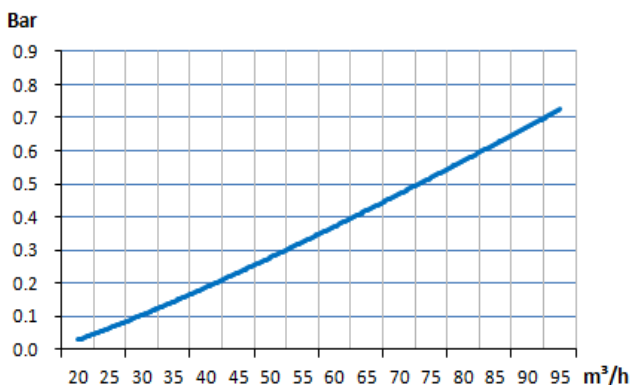
## Dimensions (in millimetre)



## Product Uses

- Irrigation systems (Field Valves)
- Underground irrigation systems
- Sewage systems
- Water supply systems
- Municipal water systems
- Agriculture
- Landscaping
- Green Houses
- Filtration
- Sprinkler systems

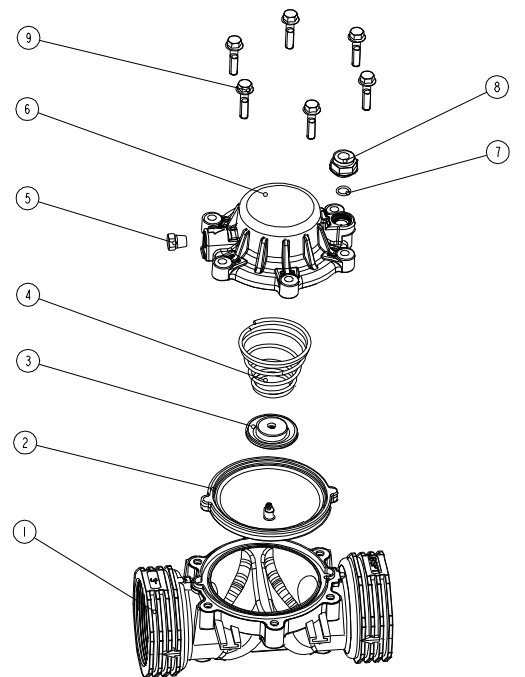
## Head Loss Chart: 3-way Electric Valve



<< Relationship between Flow and Head Loss >>  
**Horizontal Axis Q** : Flow rate, 1m<sup>3</sup>/h=4.4gpm(US)=3.67gpm(UK);  
**Vertical Axis ΔH** : Head loss, 1Bar=14.5Psi=0.1mwc.



## Components



| No. | Parts        | Material        |
|-----|--------------|-----------------|
| 1   | Valve Body   | Reinforced PA66 |
| 2   | Diaphragm    | NR              |
| 3   | Spring Seat  | POM             |
| 4   | Spring       | 304 SST         |
| 5   | Screw Plug   | Reinforced PA66 |
| 6   | Valve Bonnet | Reinforced PA66 |
| 7   | O-ring       | NBR             |
| 8   | Adapter      | Reinforced PA66 |
| 9   | M8 Bolts x 6 | 304 SST         |