

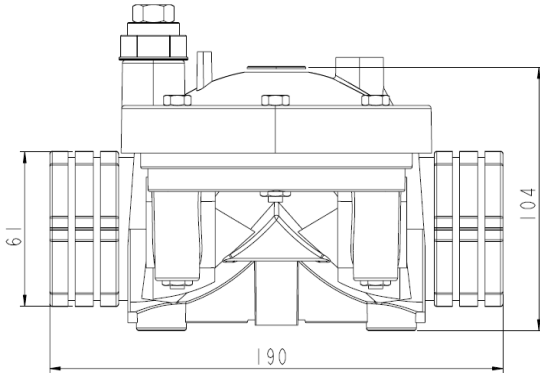
Specification

Port Size	1 ^{1/2} -inch, DN40
Port Connection	Female Thread Connected, BSP
Body Material	Glass-fiber Reinforced PA66

Operation Data

Max. Flow Range	m ³ /h	25
	gal/min(US)	110
Max. Working Pressure	bar	10
	psi	145
Min. Pressure	bar	0.69
	psi	10
Max. Temperature	°C	60
	°F	140

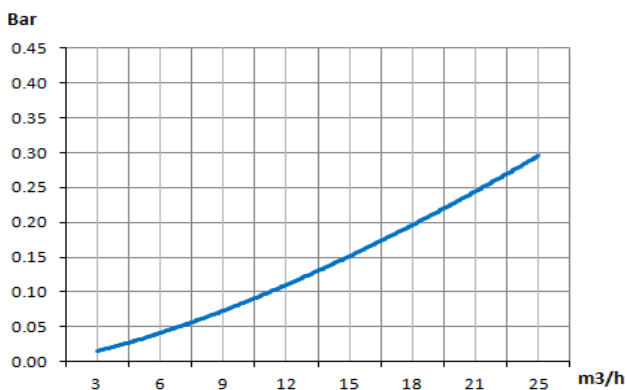
Dimensions (in millimetre)



Product Uses

- Filtration
- Sprinkler systems
- Sewage systems
- Water supply systems
- Municipal water systems
- Agriculture
- Landscaping
- Green Houses
- Irrigation systems (Field Valves)
- Underground irrigation systems

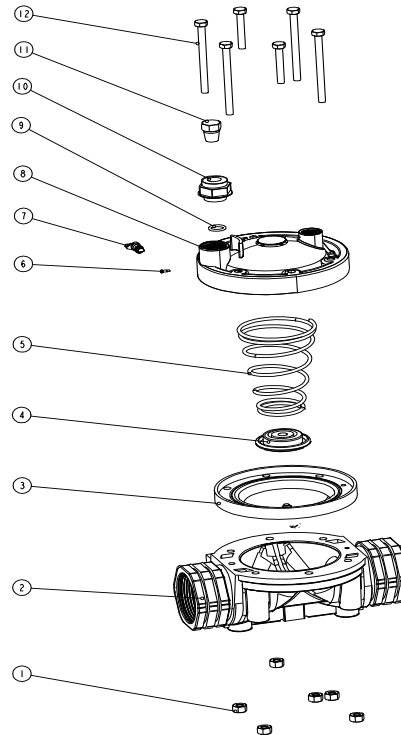
Head Loss Chart: 3-way Electric Valve



<< Relationship between Flow and Head Loss >>
 Horizontal Axis Q : Flow rate, 1m³/h=4.4gpm(US)=3.67gpm(UK);
 Vertical Axis ΔH : Head loss, 1Bar=14.5Psi=0.1mwc.



Components



No.	Parts	Material
1	Hexagonal Nuts x 6	304 SST
2	Valve Body	Reinforced PA66
3	Diaphragm	NR
4	Spring Seat	POM
5	Spring	304 SST
6	Latch	Brass
7	Manual Override Switch	POM
8	Valve Bonnet	Reinforced PA66
9	O-Ring	NBR
10	Adapter	Reinforced PA66
11	Screw Plug	Reinforced PA66
12	Bolts x 6	304 SST