

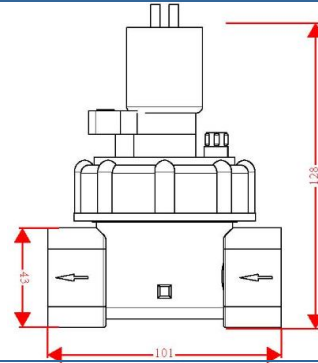


Pilot-type Solenoid Valve : DSF-1M-FF

Product Picture



Dimension (unit: mm)



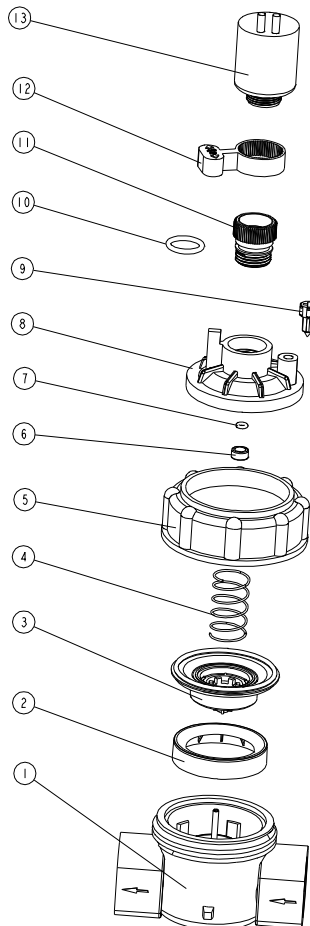
Product Usage

It is mainly used for residential and small commercial projects, which is strong and durable, simple operated, reliable in performance. To supporting the company produced various irrigation electromagnet S391 series (plastic shell) and S392 series (metal shell), alternative voltage: 12/24 12/24 VDC vac 4-9 VDC magnetic cover type 6-40 VDC magnetic cover type (special requirements can be customized)

Performance Feature

- 1、 With manual control switch.
- 2、 Body adopts anti aging reinforced nylon material with long service life
- 3、 Seal beach bowl using synthetic rubber which is more durable.
- 4、 Special valve configuration with the self-cleaning function, debris-tolerant.
- 5、 Large flow, small pressure loss.

Construction



序号	Major Parts	Material
1	Valve Body	Reinforce PA66
2	Divider	PA 66
3	Diaphragm	Component
4	Spring	304 stainless steel wire
5	Nut Cap	Reinforce PA66
6	Pressure Seal Ring	PA 66
7	O-Ring	nitrile rubber
8	Cover	Reinforce PA66
9	Bleed Screw	POM
10	O-Ring	nitrile rubber
11	Bleed Plug	POM
12	Bleed Plug Switch	POM
13	Solenoid	

Specification

Connection: 1" inch	Optional
Water Pressure: 10~150PSI	
Water Flow: 12~120L/min	
Voltage: 24VAC 50HZ	Optional
Impulse Current: 0.25amp	
Holding Current: 0.18amp	